

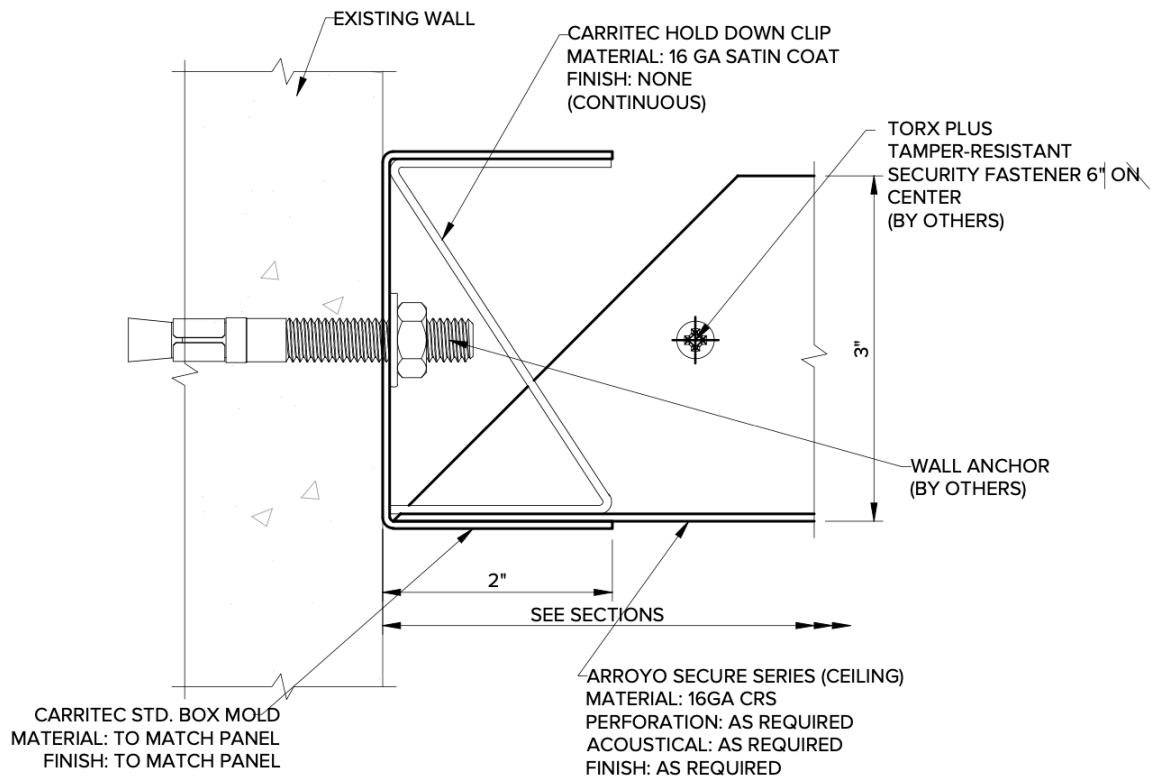
The following procedure is for the installation of the Carritec ARROYO SECURE plank-style ceiling system.

1 Document Review

Review all project documents, approved shop drawings and submittals, as well as these installation instructions, to fully understand the scope of the project.

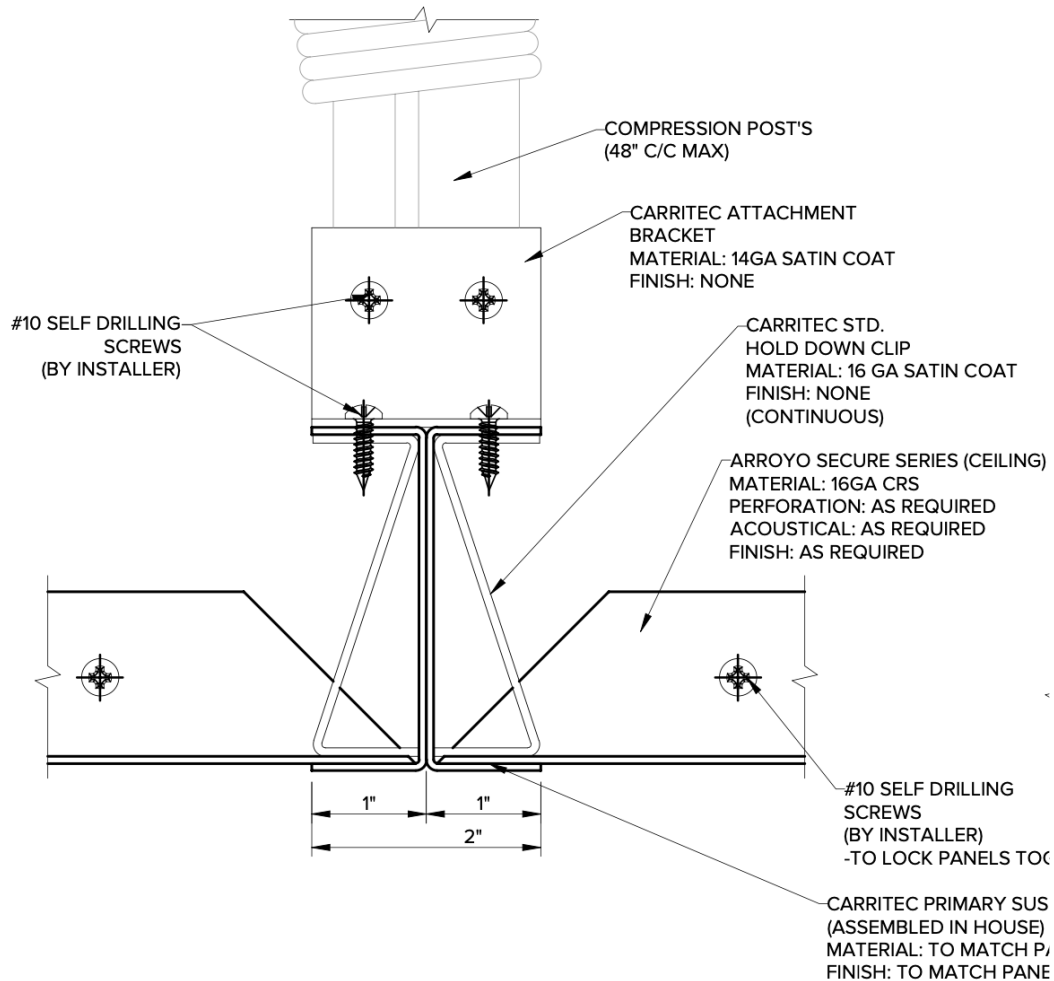
2 Perimeter Channels

All perimeter channels are to be installed level and flush with the wall, anchored according to the approved shop drawings. Every anchor must be installed according to the manufacturer's recommendations and tested to ensure adequate engagement with wall substrate. Anchors must be installed tight enough to ensure no gap is present between the wall material and the perimeter channel. Once installed, test the stability of the wall angle by applying upward and downward load to the extremity of the channel.



3 Installation of Interior Channels

Install Interior Channels according to the approved shop drawings. Apply a vertical force to ensure proper installation of hangers.



4 Installation of Planks

4.1 Starting Point

Select a starting point, or follow the starting point as laid out in the approved shop drawings. The starting point must be located either at the end of the ceiling or at an access panel. Installation is progressive.

4.2 First Panel

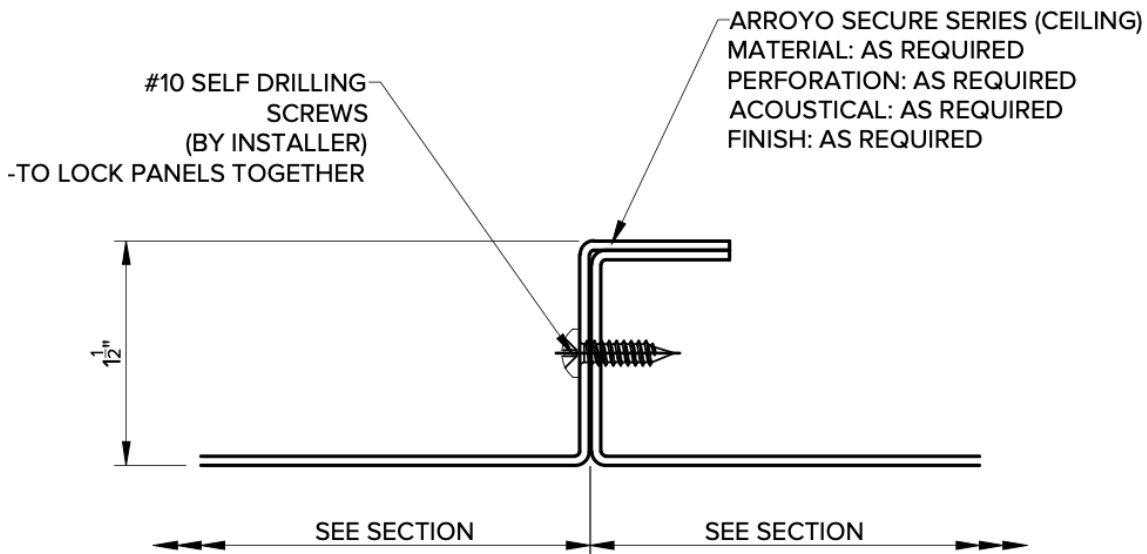
Install hold down clips inside the perimeter and interior channels, followed by the first panel, according to approved shop drawings. Ensure full engagement and full contact between the panel and the perimeter channel/interior channels. Also assure adequate pressure is being applied by the hold down clips.

Optional: Mechanically fasten the panel to the perimeter channels using tamper-resistant Torx® screws at 6" c/c maximum spacing, if required by approved shop drawings.

Optional: Lay sound-deadening insulation on the panel for additional acoustic performance, if required by approved shop drawings.

4.3 Progressive Installation

Install sequential panels, ensuring all panels are fully supported by and flush with the surrounding channel, and that suitable pressure is applied by the hold down clips. Butt the panel against the previously installed panel and affix panels together using #10 screws. Continue installation thusly until the entire ceiling is installed.



Optional: Mechanically fasten each panel to the perimeter channels using tamper-resistant Torx® screws at 6" c/c maximum spacing, if required by approved shop drawings.

4.4 Final Panel Installation

Whether using visible fasteners or not, the final panel must be installed using exposed tamper-resistant Torx® screws at 6" c/c maximum spacing.

5 Cut Outs

Cut all rough openings for the mechanical or electrical fixtures, allowing installation of an approved flanged fixture.

NOTICE: Failure to comply with these installation instructions could result in serious injury or allow for security breach, posing potentially serious risk to the safety of officers and inmates.